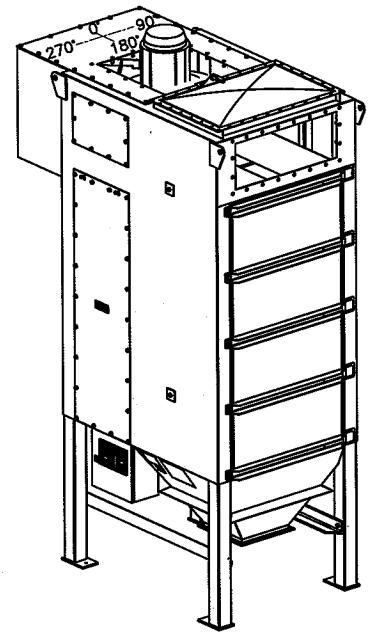
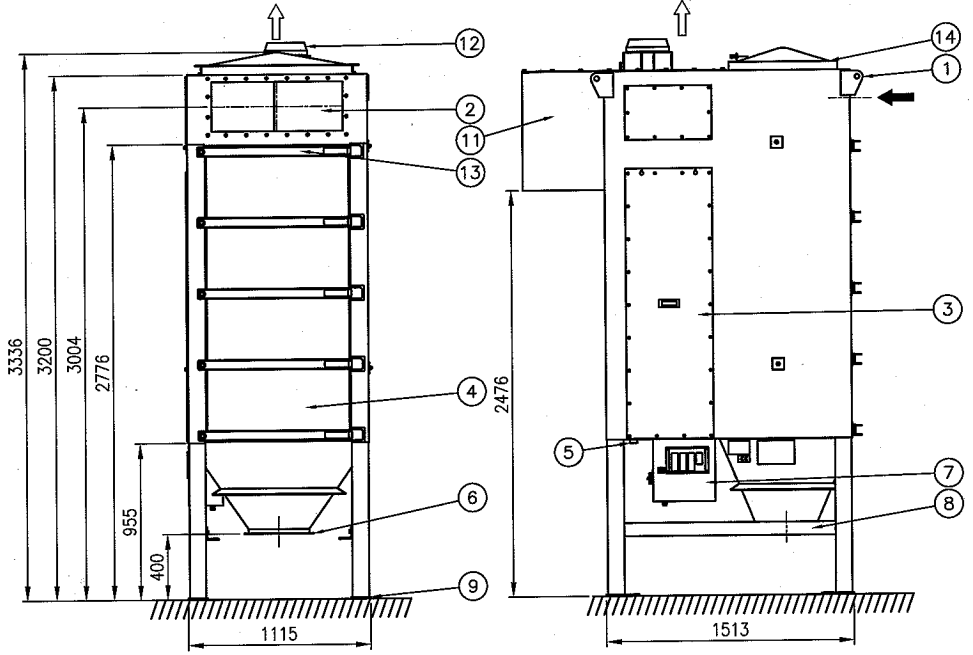
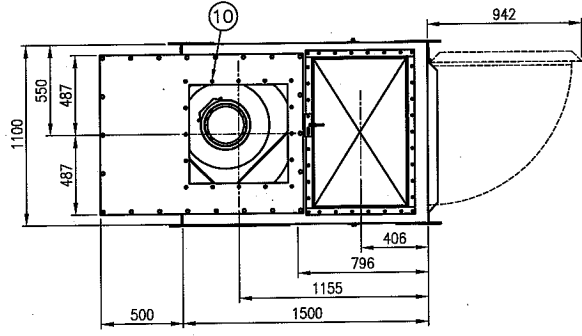
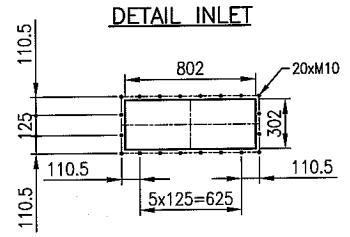
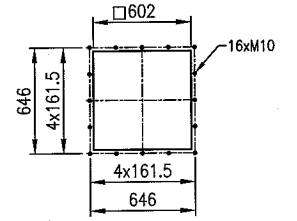


ITEM	DESCRIPTION
1	Lifting lugs
2	Front inlet 800x300 DIN24193/2 (see detail inlet)
3	Access panel: clean air plenum
4	Reinforced hinged door: dirty air plenum
5	Manifold compressed air inlet (1" BSP female)
6	Hopper flange (362x362)
7	Total Control Board (integrated in control box)
8	Lifting profiles (removable)
9	Footplate 200x120x10 with hole ø30 for anchor bolt
10	Roof outlet 600x600 (see detail roof outlet)
11	Fan box
12	Integrated fan set
13	Strengthening profiles
14	bursting Disc 0.5m ²



- Standard:
- a) built in damper valve
 - b) fan and valves are prewired
 - c) control box positioned under clean air plenum door

DETAIL ROOF OUTLET FOR OUTLETBOX MOUNTING



FOR DETAILS FOOTPRINT CONSULT DRWG. 421-0588

REV.	ZONE	ECO NUMBER	REVISIONS	APP.	DATE
4	---	08C6144	Updated lugs, CAP door, cover, 3D view....	E. Tack	25/3/19
3	---	05C6089	Rembe bursting disc	DT	06/06/05
2	---	03TE0826	Change to oval elements	DT	30/06/03
1	---	00TE0712	Remove quick release bin	SK	14/04/00

LIMITATION:		RELEASE N°	99TE0612	TITLE:		DFPRO 8 REIN. (hopp. clr. 400m)	
MATERIAL:		PROD. DATE		EXP. DATE		integrated fan set	
see BOM		EXP. DATE		FIRST P.O.M.		NUMBER:	
PROD. CODE:		DR.	BD	04/05/99	SCALE: 1/30		SHEET: 1 of 1
REF. N°:		CHK.	SK	26/05/99	DESIGN CONTROL		DRAWING LOCATION:
USED ON: DFPRO 8 Reinforced		design app.	SK	26/05/99	c/c A4210578_R04		REVISION
DO NOT SCALE		TOLERANCES UNLESS OTHERWISE SPECIFIED		prod. app.		SECTIONAL SIZE	
		<8 - 30 ±0.10 30 - 100 ±0.15 100 - 300 ±0.20 300 - 1000 ±0.30 Angles ± 1°		FIRST ANGLE PROJECTION		SIZE	
						A3 B-3001 Leuven Belgium I.A.F.	



All rights to manufacture, copy, reproduce or dispose of this writing or its contents are reserved unless otherwise specified in writing by donaldson europe.